

CABLE CONNECTIONS

Compression cable joints and tap connectors

Document No.: 09-200-R2

Sheet: 1 of 1

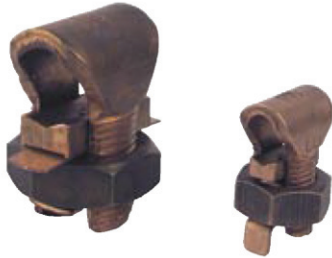
German Cathodic Protection



Split bolt connector Cellp-Cu FK

Usable as a branch-off or connection clamp.

Material: Copper



Type	Cat. no.	Main cable		Cross section branch-off	Width across flat
		cross section	Ø mm		
FK 10	126 179	10 mm ²	4.1	2.5 - 10 mm ²	13 mm
FK 16	126 180	16 mm ²	5.1	2.5 - 16 mm ²	17 mm
FK 25	126 181	25 mm ²	6.4	4 - 25 mm ²	19 mm
FK 35	126 182	35 mm ²	7.5	4 - 35 mm ²	22 mm
FK 50	126 183	50 mm ²	9.0	10 - 50 mm ²	24 mm
FK 95	126 184	95 mm ²	12.5	10 - 70 mm ²	32 mm

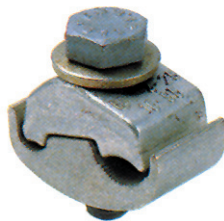
Universal tap connectors

for circular stranded copper conductors and circular stranded/sector shaped copper conductors.

Material:

brass, electro tinned

Bolts: steel 8.8, hot galvanised



with 1 cover for single service taps			
Type No.	Main conductor mm ²	Tap conductor mm ²	Bolt size
PF 330 433 433	16 - 95	4 - 25	M8
PF 330 434 434	50 - 120	6 - 50	M8
PF 330 435 435	50 - 185	6 - 50	M8

Universal tap connectors

for circular stranded copper conductors and circular stranded/sector shaped copper conductors.

Material:

brass, electro tinned

Bolts: steel 8.8, hot galvanised



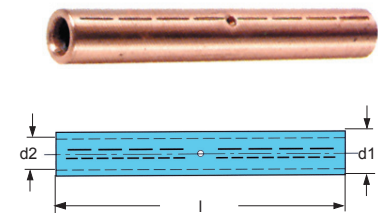
with 2 covers for double service taps			
Type No.	Main conductor mm ²	Tap conductor mm ²	Bolt size
PF 330 824 824	16 - 95	4 - 25	M8
PF 330 437 437	50 - 185	6 - 50	M8

Compression joints DIN 48085 Part 1

for full tension connections

for circular stranded copper conductors and circular stranded/sector shaped copper conductors.

Material: Copper

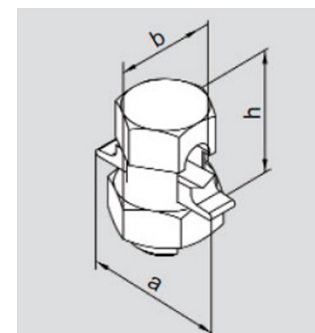


Conductor mm ²	Conductor dia. mm	Dimensions (mm)			Type No.
		d1	d2	l	
6	2.7 - 3.3	6.5	3.5	65	KL181 R
10	3.5 - 4.2	8.5	4.5	80	KL182 R
16	4.5 - 5.3	8.5	5.5	95	KL183 R
25	5.6 - 6.6	10	7.0	95	KL184 R
35	6.6 - 7.9	12.5	8.2	95	KL185 R
50	7.7 - 9.1	14.5	10.0	110	KL186 R
70	9.3 - 11.0	16.5	11.5	110	KL187 R
95	11.0 - 12.9	21	13.5	145	KL188 R
120	12.5 - 14.5	23.5	15.0	160	KL189 R
150	13.9 - 16.2	25.5	16.5	180	KL190 R
185	15.5 - 18.0	31.5	18.5	260	KL191 R
240	17.8 - 20.6	34.5	21.0	310	KL192 R

Brass split bolt connector

Usable as a branch-off or connection clamp

Material: Copper-zinc-alloy



Type	Main cable		Cross section branch-off	Dimensions (mm)		
	cross section	Ø mm		a	b	h
115001	10 mm ²	4.1	10 mm ²	20	14.7	20
115002	16 mm ²	5.1	16 mm ²	25	20.2	24
115003	25 mm ²	6.3	25 mm ²	28	22	29
115004	35 mm ²	7.5	35 mm ²	32	25.6	33
115005	50 mm ²	9.0	50 mm ²	35	29.3	39
115006	70 mm ²	10.5	70 mm ²	39	32.6	44