

PERMANENT REFERENCE ELECTRODES

Zn 99.99 % (Solid)

Document No.: 07-200-R1

Sheet: 1 of 1

German Cathodic Protection

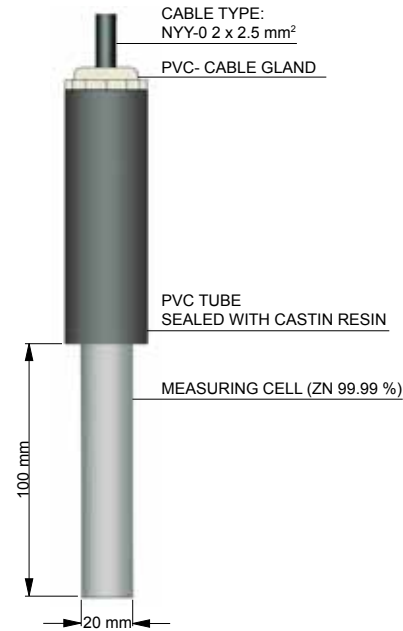


**Type: Zn-U (Zn 99.99 %)
for Permanent Underground Application**

Reference electrode Zn-U is prepacked in a cotton bag filled with non-polarizing bentonite backfill.

Potential referring to H ₂ - electrode	- 0.77 V
Temperature range	0 - 55° C
Composition of backfill	75 % Gypsum 20 % Bentonite 5 % Sodium sulfate
Cotton bag dimensions	Diameter: 100 mm Height: 220 mm Weight: 3.6 kg*

* with a cable length of 5 m



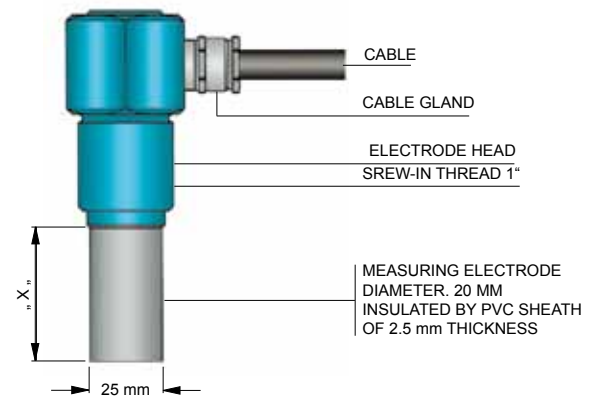
Type: Zn-W (Zn 99.99 %)

Application

Reference electrode Zn-W is used inside internally protected steel water containers, tanks, pipes etc. and is provided with a 1" screw-in thread for permanent fixture by using a weld-in flange. The measuring cell is covered with insulating material so that the only exposed area is the circular base at the bottom.

Potential referring to H₂ - electrode: - 0.77 V

Temperature range, Operational pressure, Length of measuring electrode „X,, and Cable type and length according to Purchaser requirements.



Type: Zn-SW (Zn 99.99 %)

Application

Reference electrode Zn-SW is used dipped in freshwater or seawater

Potential referring to H₂ - electrode: - 0.77 V

CABLE TYPE: NYY-0 2 x 2.5 mm²
Cable length according to Purchaser requirements.

