

PERMANENT TEST STATIONS

Model: TP-001 and TP-002

Document No.: 06-100-R1

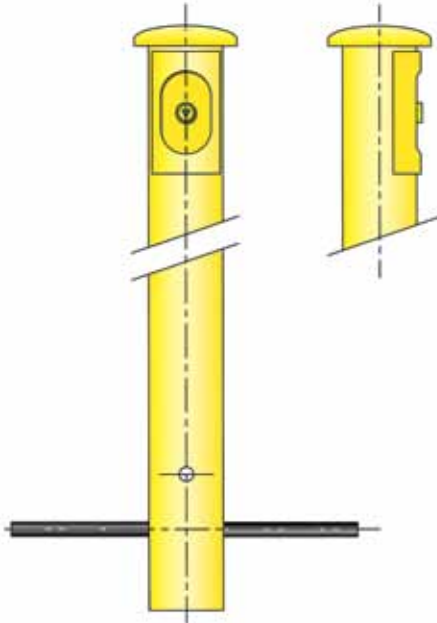
Sheet: 1 of 1

German Cathodic Protection



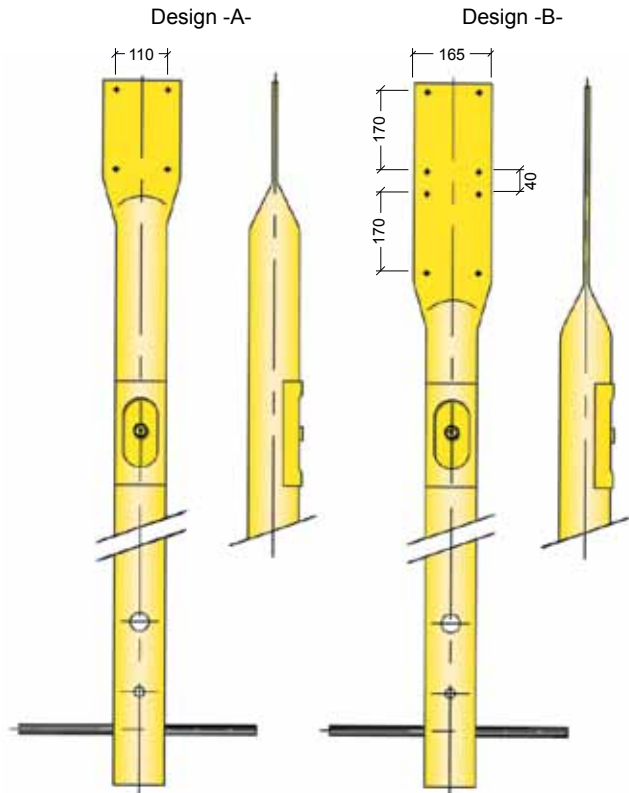
Model: TP-001

Model	Material	Length	Outside diameter
TP-001 S	Steel	1500 mm	approx. 108 mm



Model: TP-002

Model	Material	Length	Outside diameter
TP-002 S	Steel	3000 mm	approx. 108 mm
TP-002 P	Plastic	3000 mm	approx. 108 mm



Specifications

- all steel parts painted with a two component epoxy resin paint, coating colour: yellow (RAL 1018)
- all PVC parts made of impact-resistant hard PVC coated with a layer of PMMA for UV-stability and durability of more than ten years
- termination lid provided with a triangular lock
- two PVC pipes on the lower part of the post for ground anchoring
- cable termination plate: 60x90 mm with 6 coloured spade terminals for cables upto 6 mm²
- cable conduit at the bottom of the post
- Model TP-001 with a top canopy for rain and weather protection
- Model TP-002 with a special flat top for fixing of TS identification plates

Optional features on request

- all steel parts hot galvanized
- main post of different lengths and colours
- additional higher rated spade terminals

